

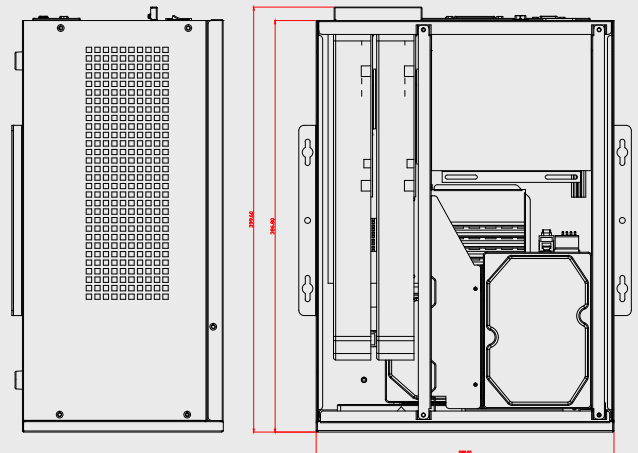
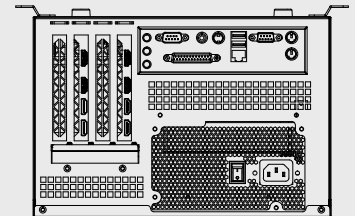
Feature :

1. Support MICRO-ATX Form Factor Motherboard
2. Support PSII Power supply
3. With Internal 2 x 3.5" HDD
4. Excellent cooling with 1 x 12cm fan inside



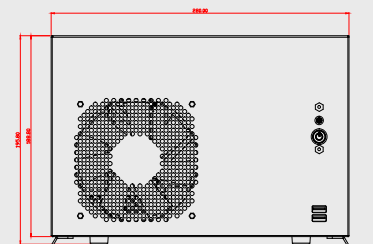
Specifications :

Front Panel	<ul style="list-style-type: none"> ● Power Switch x 1. ● Power LED x 1. ● HDD LED x 1. ● USB Port x2.
Internal Structure	<ul style="list-style-type: none"> ● 3.5" HDD x 2. ● 12 cm Fan x 1
Dimension (WxDxH)	11.02 x 15.73 x 7.43 inch (280.0 x 399.6 x 188.8 mm)
Material	SGCC Chassis
Surface	Wet Paint with Texture Coat. Black Color .



Power Solutions :

Internal Power Supply
PSII Power Supply



UNIT:mm