

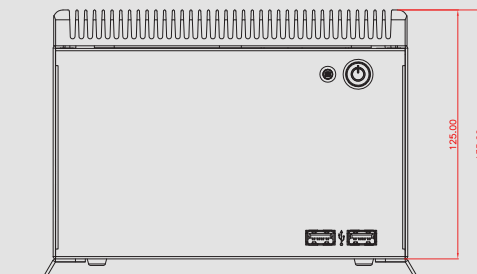
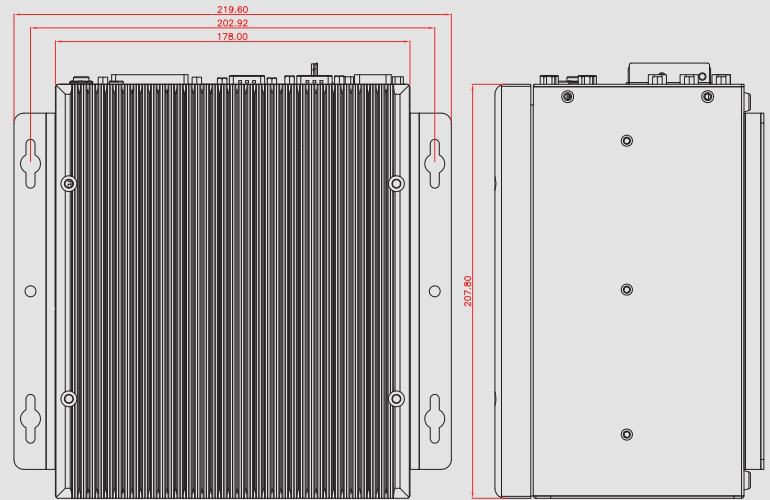
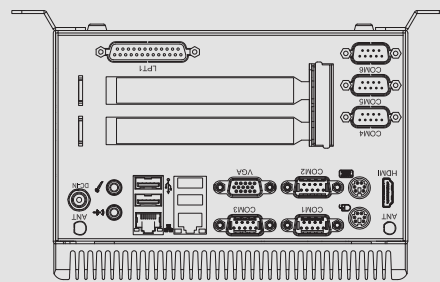
### Feature :

1. For Mini-ITX Form factor ASROCK IMB150 Motherboard with CPU TDP 20W max.
2. Support 2 x Expansion slot for PCI or PCI-E.
2. Simple assembling and Easy system integration.
3. Silent, dust-free & energy-efficient operation.



### Specifications:

Front Panel	<ul style="list-style-type: none"> <li>● Power switch x 1.</li> <li>● Power LED x 1.</li> <li>● HDD LED x 1.</li> <li>● USB 2.0 Port x 2.</li> </ul>
Back Panel	<ul style="list-style-type: none"> <li>● COM ports x 6 .</li> <li>● PS/2 x 2 (1 x keyboard, 1 x mouse).</li> <li>● HDMI x 1. ANT x 2.</li> <li>● VGA x1. Gigabit LAN x 2.</li> <li>● Expansion Slot for PCI or PCI-E x 2.</li> <li>● Audio IN / OUT. LPT x 1.</li> <li>● USB 2.0 Port x 2. USB 3.0 Port x 2.</li> </ul>
Internal Structure	<ul style="list-style-type: none"> <li>● 2.5" HDD x 1.</li> </ul>
Dimension ( WxDxH )	7.0 x 8.2 x 4.9 inch ( 178.0 x 207.8 x 94.2 mm )
Material	SGCC Anodized aluminum heatsink
Surface	Black wet paint with texture coat.



### Power Solutions :

9-19V DC In

UNIT:mm