

Dimensions:

178.0mm(W) x 207.8mm (D) x 125.0mm (H)(7.0" x 8.2" x 4.9")

Motherboard Spec.

Mini-ITX

Front Panel:

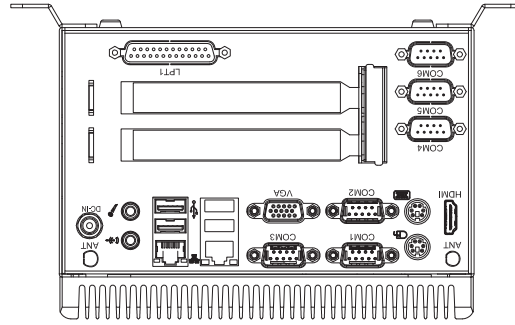
Power SW . Power LED . HDD LED .
USB 2.0 Port x 2 .

**Custom design
based on requirements:**

Back Panel:

**Custom I/O shield design
based on M/B:**

- HDMI x 1 .
- PS/2 x 2 (1 x keyboard, 1 x mouse).
- COM Port x 6 .
- VGA x 1 .
- Gigabit LAN x 2 .
- USB 2.0 Port x 2 .
- USB 3.0 Port x 2 .
- Expansion PCI/PCI-E Raw slot x 2 .
- LPT x 1 .
- ANT x 2 .
- Audio IN/OUT .
- 9-19V DC in



Drive bays:

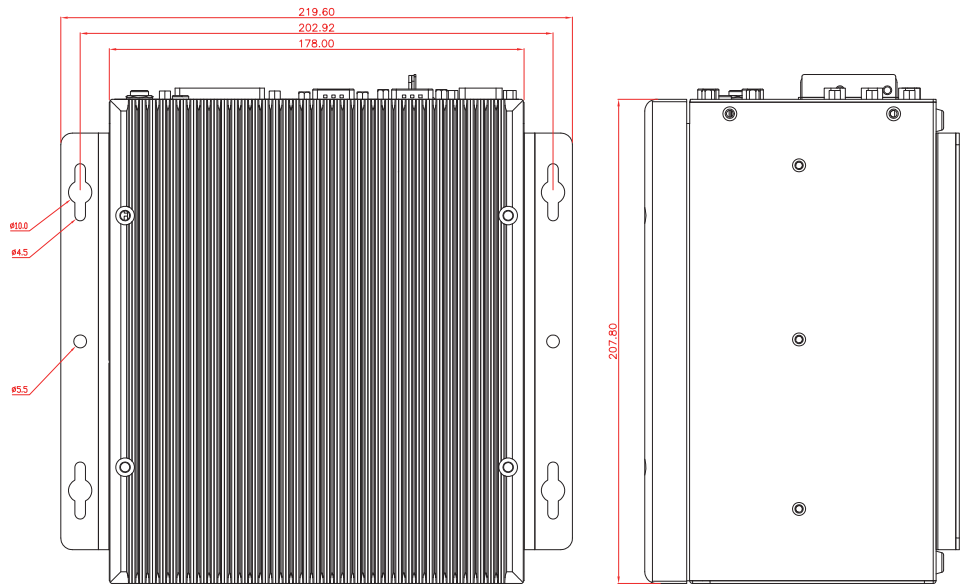
2.5" HDD x 1

Power Input:

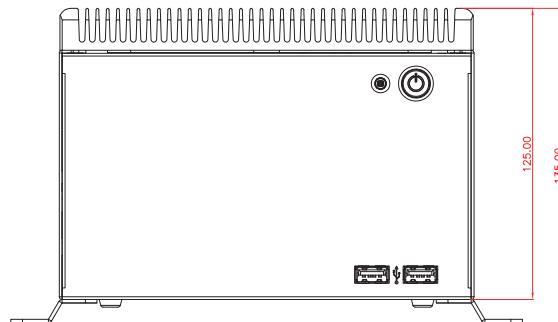
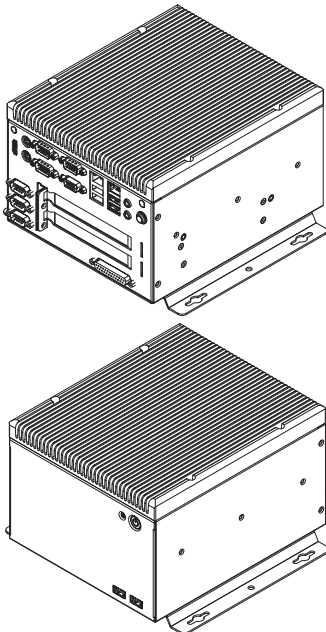
9-19V DC in

Construction:

- Metal chassis
- Aluminum chassis
- Low Operation temperature



RoHS Compliant



UNIT : mm
Rev : A
Date : 2017.05.02
PAGE : 1 / 1