

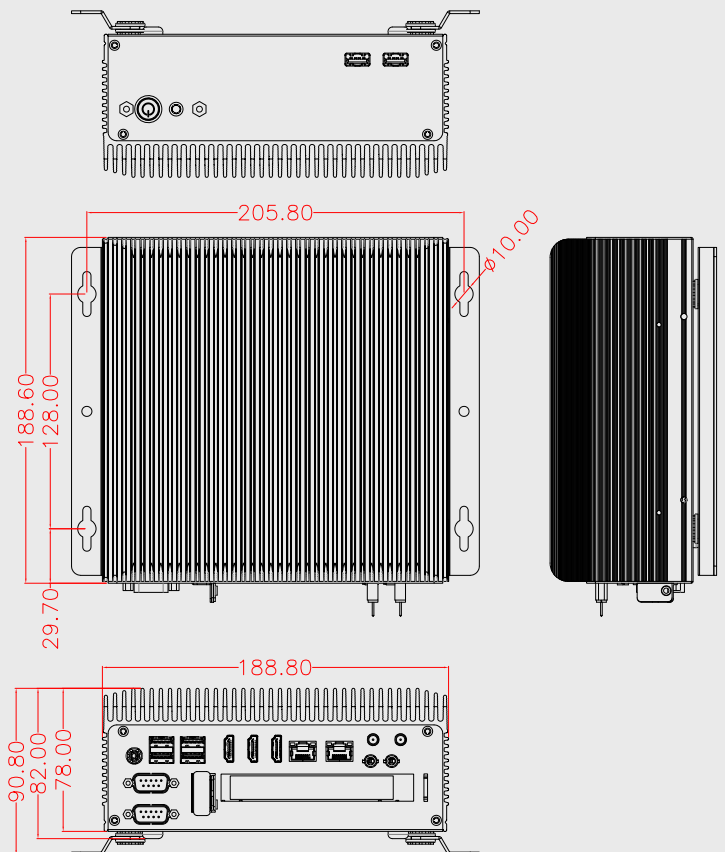
## Feature :

1. For Mini-ITX Form Factor ASROCK IMB-190 Motherboard With CPU TDP 35W Max.
2. Simple Assembling and Easy System Integration .
3. Support Wall/ Vesa Mount Bracket. (Optional)
4. Silent, Dust-free.



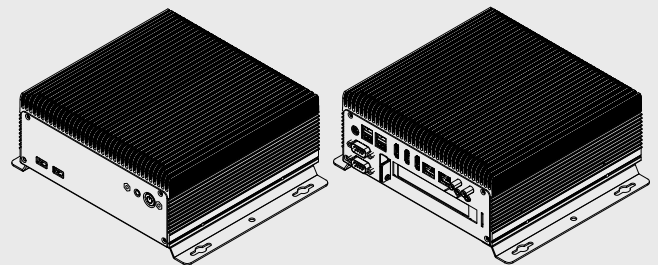
## Specifications :

Front Panel	<ul style="list-style-type: none"> <li>● Power Switch x 1.</li> <li>● Power LED x 1.</li> <li>● HDD LED x 1.</li> <li>● USB Port x 2.</li> </ul>
Back Panel	<ul style="list-style-type: none"> <li>● Standard I/O Shield.</li> <li>● COM Port x 2 .</li> <li>● ANT Port x 2 .</li> <li>● Expansion Slot x 1</li> </ul>
Internal Structure	<ul style="list-style-type: none"> <li>● 2.5" HDD x 1.</li> </ul>
Accessories	<ul style="list-style-type: none"> <li>● Vesa-mounting Bracket x 1. (Optional)</li> <li>● Wall-mounting Bracket x 1. (Optional)</li> </ul>
Dimension (WxDxH)	7.43 x 7.43 x 3.23 inch ( 188.8 x 188.6 x 82 mm )
Material	SGCC
Surface	Black Wet Paint With Texture Coat.



## Power Solutions :

12V / 19~24V DC-in



UNIT:mm