

KIWATEK

ONDO-F548

Dimensions:

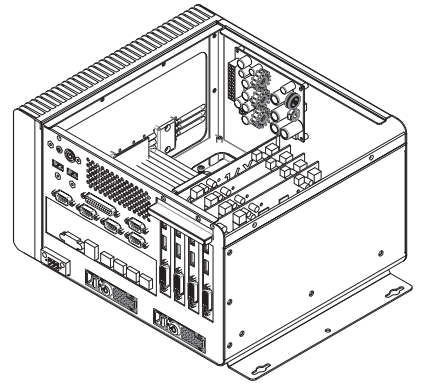
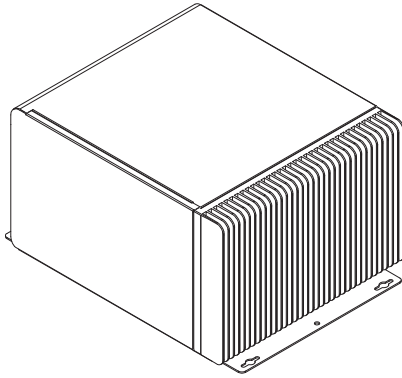
304.9mm(W) x 262.6mm (D) x 175.0mm (H)

Motherboard Spec.

For MICROATX MB .

Back Panel:

Power SW . HDD LED . POWER LED .
 Standard I/O shield (not included) .
 USB 2.0/USB3.0 x 2 .
 PCI/PCI-E Slot-Crad x 4 .
 COM x 5 . LPT x 1 .



Drive bays:

INNER : 2.5" HDD x 2
 OUTER : 2.5"HDD HOT-SWAP Tray x 2

Power Input:

C5 19V 120W

Construction:

Metal chassis
 Low Operation temperature

RoHS Compliant

